

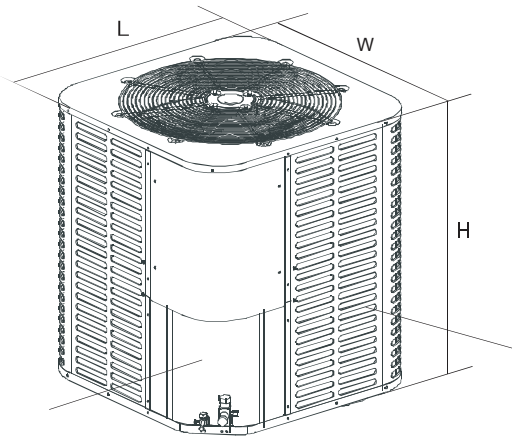


J5AC3042A1000AA

TAG: _____

SUBMITTAL

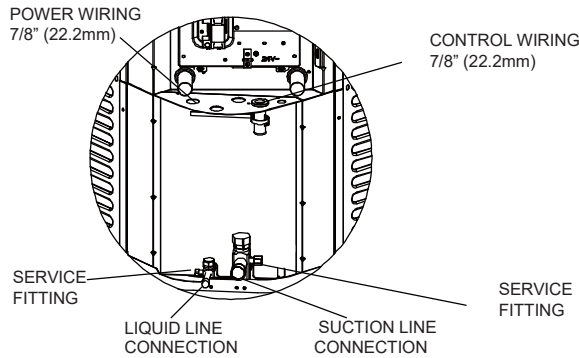
3.5 Ton Split System Air Conditioner - 1 Phase J5AC3042A1000AA



AIR INLETS
LOUVERED PANELS
ALLOW 12"
MINIMUM
CLEARANCE

SERVICE ACCESS
ALLOW 24" CLEARANCE

NOTE: GRILL APPEARANCE
MAY VARY.



SERVICE
FITTING

Product Specifications

OUTDOOR UNIT	J5AC3042A1000AA
POWER CONNS. — V/PH/HZ	208/230V/1Ph/60Hz
MIN. BRCH. CIR. AMPACITY	24.9
BR. CIR. PROT. RTG. - MAX. (AMPS)	40
COMPRESSOR	SCROLL
NO. USED - NO. SPEEDS	1 - 1
VOLTS/PH/HZ	208/230/1/60
R.L. AMPS - L.R. AMPS	18.5-96.0
FACTORY INSTALLED	
START COMPONENTS	No
INSULATION/SOUND BLANKET	No
COMPRESSOR HEAT	No
RATED SOUND POWER LEVEL	78
(dB)OUTDOOR FAN/MOTOR	PROPELLER/ECM
DIA. (IN.) - NO. USED	23-1/16 - 1
TYPE DRIVE - NO. SPEEDSCFM	EXTERNAL - 10
@ 0.0 IN. W.G.	3400
NO. MOTORS - HP	1 - 1/3
MOTOR SPEED R.P.M	980
VOLTS/PH/HZ	208/230V/1Ph/60Hz
F.L. AMPS	1.70
OUTDOOR COIL — TYPE	Microchannel
ROWS - F.P.I.	1-23
FACE AREA (SQ. FT.)	17.40
TUBE SIZE (IN.)	/
REFRIGERANT	
LBS. — R-454B (O.D. UNIT)	4 LBS.-1 OZ.
FACTORY SUPPLIED	YES
LINE SIZE - IN. O.D. GAS	7/8
LINE SIZE - IN. O.D. LIQ.	3/8
CHARGING SPECIFICATION	
SUPERHEAT	See Installation Manual
DIMENSIONS	W x H x L
CRATED (IN.)	29x34-1/2x29
WEIGHT	
SHIPPING (LBS.)	187
NET (LBS.)	176

NOTE: All dimensions are in inches.

Model	W	H	L	GAS VALVE SIZE	LIQUID VALVE SIZE
J5AC3042A1000AA	28	33-3/16	28	7/8	3/8

Mechanical Specification Options

General

The J5AC30 is fully charged from the factory for 15ft of lineset. This unit is designed to operate at outdoor ambient temperatures as high as 115°F. Cooling capacities are matched with air handlers and furnace coils that are AHRI certified. The unit is certified to ETL. Exterior is designed for outdoor application.

Casing

Unit casing is constructed of heavy gauge, Galvanized steel and painted with a weather-resistant powder paint on all grilles, panels, pre-paint on all other panels. And had 500-hours salt spray tested.

Refrigerant Controls

Refrigeration system controls include condenser fan, compressor contactor.

Compressor

Features include low vibration and noise.

Condenser Coil

The outdoor coil provides low airflow resistance and efficient heat transfer. The coil is protected on all four sides by grille panels. The coil has a hydrophilic coating.

Optional accessories

via 3rd party -Liquid Line Drier

It is used to filter out impurities and water in the system, ensures system clean and dry.



OXBOX has a policy of continuous product and product data improvement and it reserves the right to change design and specifications without notice.

BX-PRQ-J5AC3042A1000AA-1A