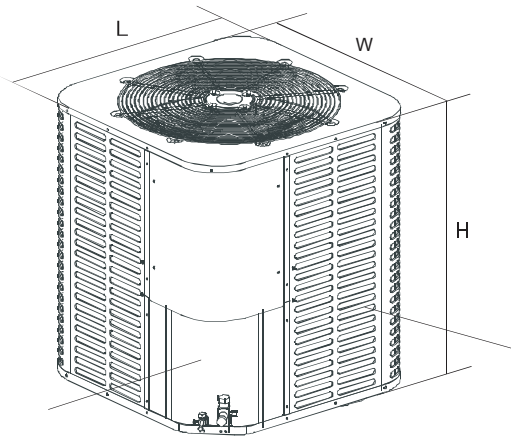


TAG: _____

SUBMITTAL

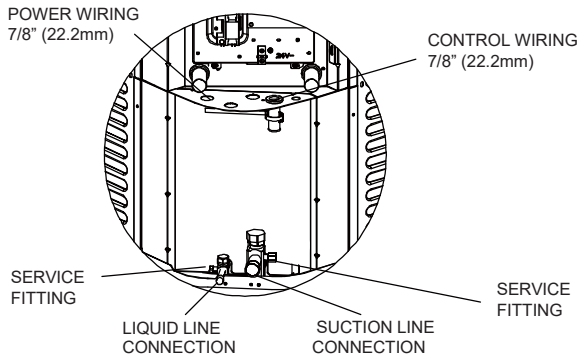
3.5 Ton Split System Air Conditioner - 1 Phase J5AC5042A1000AA



AIR INLETS
LOUVERED PANELS
ALLOW 12"
MINIMUM
CLEARANCE

SERVICE ACCESS
ALLOW 24" CLEARANCE

NOTE: GRILL APPEARANCE
MAY VARY.



Product Specifications

| | |
|-----------------------------------|-------------------------|
| OUTDOOR UNIT | J5AC5042A1000AA |
| POWER CONNS. — V/PH/HZ | 208/230V/1Ph/60Hz |
| MIN. BRCH. CIR. AMPACITY | 24.9 |
| BR. CIR. PROT. RTG. - MAX. (AMPS) | 40 |
| COMPRESSOR | SCROLL |
| NO. USED - NO. SPEEDS | 1 - 1 |
| VOLTS/PH/HZ | 208/230/1/60 |
| R.L. AMPS - L.R. AMPS | 18.5-96.0 |
| FACTORY INSTALLED | |
| START COMPONENTS | No |
| INSULATION/SOUND BLANKET | No |
| COMPRESSOR HEAT | No |
| RATED SOUND POWER LEVEL(dB) | 78 |
| OUTDOOR FAN/MOTOR | PROPELLER/ECM |
| DIA. (IN.) - NO. USED | 23-1/16 - 1 |
| TYPE DRIVE - NO. SPEEDS | EXTERNAL - 10 |
| @ 0.0 IN. W.G. | 3400 |
| NO. MOTORS - HP | 1 - 1/3 |
| MOTOR SPEED R.P.M | 980 |
| VOLTS/PH/HZ | 208/230V/1Ph/60Hz |
| F.L. AMPS | 1.70 |
| OUTDOOR COIL — TYPE | Microchannel |
| ROWS - F.P.I. | 1-23 |
| FACE AREA (SQ. FT.) | 17.40 |
| TUBE SIZE (IN.) | / |
| REFRIGERANT | |
| LBS. — R-454B (O.D. UNIT) | 4 LBS.-1 OZ. |
| FACTORY SUPPLIED | YES |
| LINE SIZE - IN. O.D. GAS | 7/8 |
| LINE SIZE - IN. O.D. LIQ. | 3/8 |
| CHARGING SPECIFICATION | |
| SUPERHEAT | See Installation Manual |
| DIMENSIONS | W x H x L |
| CRATED (IN.) | 29x34-1/2x29 |
| WEIGHT | |
| SHIPPING (LBS.) | 187 |
| NET (LBS.) | 176 |

NOTE: All dimensions are in inches.

| Model | W | H | L | GAS VALVE SIZE | LIQUID VALVE SIZE |
|-----------------|----|---------|----|----------------|-------------------|
| J5AC5042A1000AA | 28 | 33-3/16 | 28 | 7/8 | 3/8 |

Mechanical Specification Options

General

The J5AC50 is fully charged from the factory for 15ft of lineset. This unit is designed to operate at outdoor ambient temperatures as high as 115°F. Cooling capacities are matched with air handlers and furnace coils that are AHRI certified. The unit is certified to ETL. Exterior is designed for outdoor application.

Casing

Unit casing is constructed of heavy gauge, Galvanized steel and painted with a weather-resistant powder paint on all grilles, panels, pre-paint on all other panels. And had 500-hours salt spray tested.

Refrigerant Controls

Refrigeration system controls include condenser fan, compressor contactor.

Compressor

Features include low vibration and noise.

Condenser Coil

The outdoor coil provides low airflow resistance and efficient heat transfer. The coil is protected on all four sides by grille panels. The coil has a hydrophilic coating.

Optional accessories

via 3rd party -Liquid Line Drier

It is used to filter out impurities and water in the system, ensures system clean and dry.



OXBOX has a policy of continuous product and product data improvement and it reserves the right to change design and specifications without notice.

BX-PRQ-J5AC5042A1000AA-1A